

FISHER & PAYKEL

REFRIGERATOR FREEZER

RF540ADUX5 FP GB

PRODUCT CODE: 25984-A

PARTS MANUAL

GB IE

INTRODUCTION

BRAND	VOLTAGE	MODEL	PRODUCT CODE
Fisher & Paykel	220-240V 50Hz	RF540ADUX5 FP GB	25984-A

MODELS

The models covered by this manual are listed on the front cover. The information detailed in this manual is subject to change without notice. The latest version is indicated by the reprint date and replaces any earlier editions.

KIT PARTS

Where a part number is shown against the descriptions for kit components, they are also available as separate items. In addition, some parts may be supplied with these kits that are not available as separate items, and are therefore either not listed, or a part number is not shown against the part description in this manual.

PARTS LIST KEY

NI	As a part reference, indicates the part is not illustrated on the diagram.
NOT USED	As a part number, indicates the diagram part reference is not used in this manual.
NS	As a part number, indicates the part is not servicable.

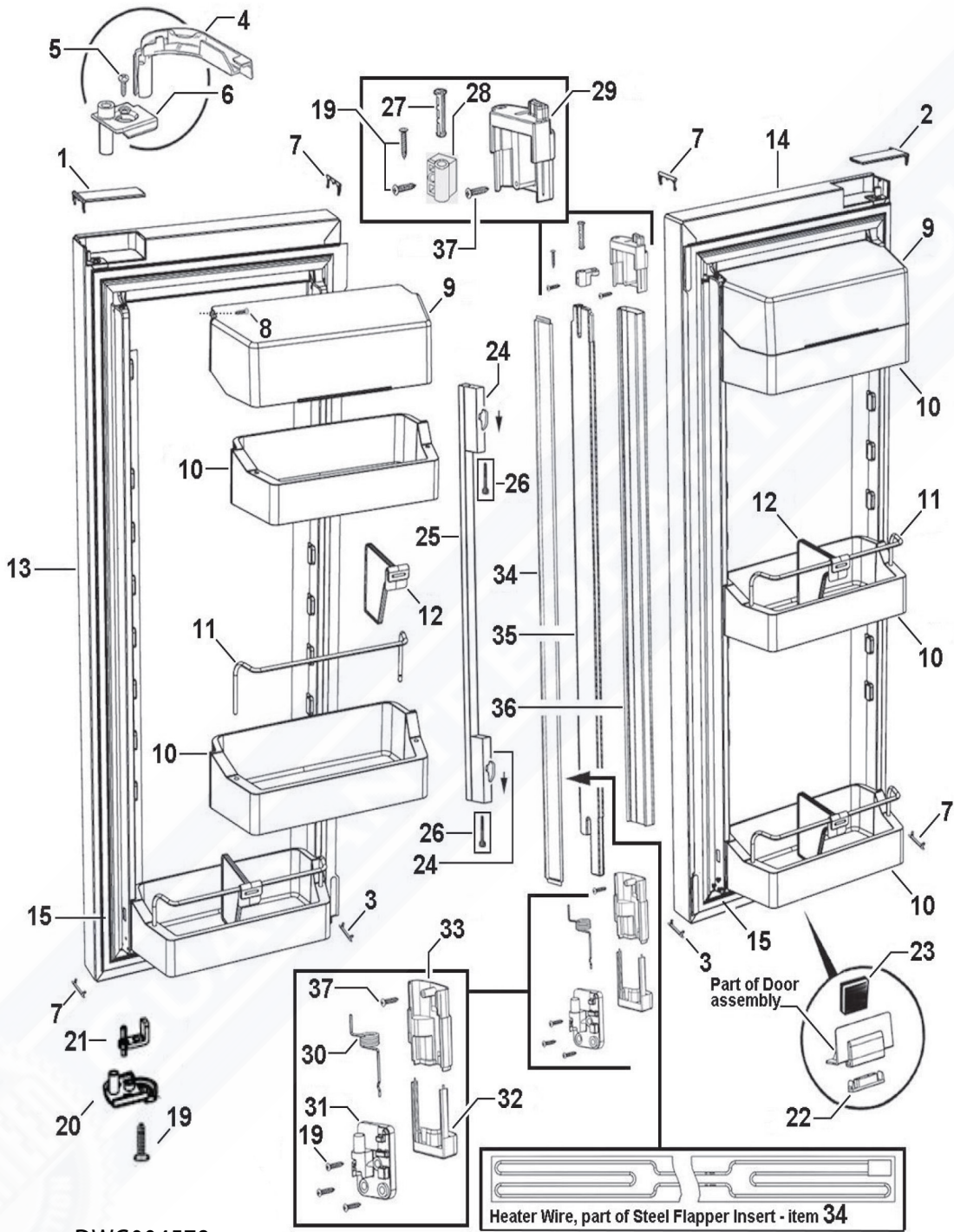
CONTENTS

INTRODUCTION	1
PC DOOR COMPONENTS	3
WATER DISPENSER HOUSING & DISPLAY MODULE COMPONENTS	7
FC DRAWER COMPONENTS	9
CABINET INTERIOR & EXTERIOR COMPONENTS	11
SHELF COMPONENTS	17
ICE MAKER & ICE BIN COMPONENTS	19
FAN, COVER & EVAPORATOR COMPONENTS	21
WATER TANK & DUCT COVER COMPONENTS	23
TERMINAL, PLUGS & SOCKETS	25
COMPRESSOR & CONTROL MODULE COMPONENTS	27



GUARANTEED PARTS.COM

PC DOOR COMPONENTS

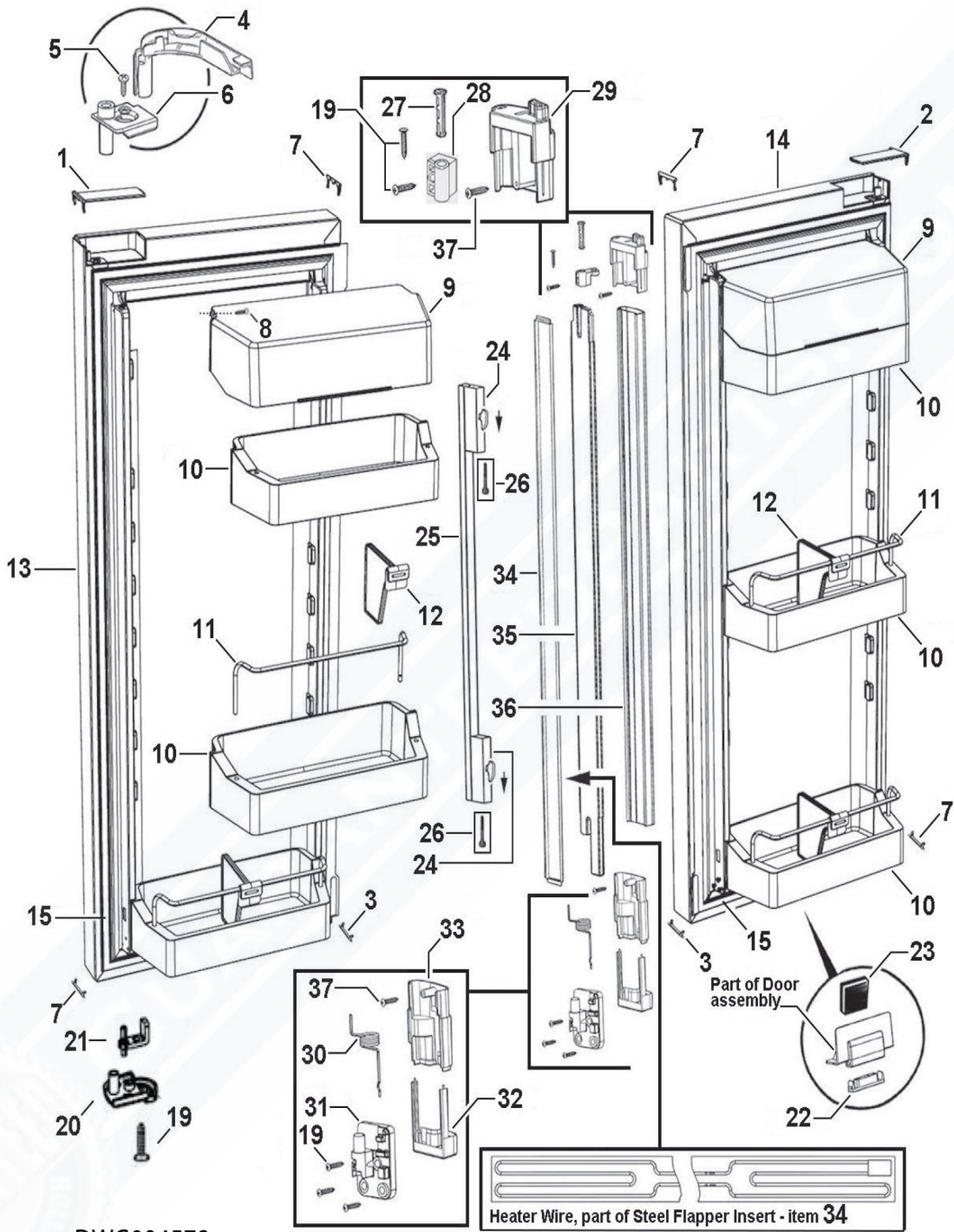


DWG004578

PC DOOR COMPONENTS

REFERENCE	PART NUMBER	PART DESCRIPTION
1	820801	COVER DOOR HINGE RH
2	820957	COVER DOOR HINGE LH
3	813926	TRIM CORNER DOOR FLAT
4	820715	GUIDE TUBE DOOR RH
	820862	GUIDE TUBE DOOR LH
5	836948P	SCREW 6X1/2 PAN PH SS (PKT 10)
6	820845	BEARING HINGE WATER RH
	820958	BEARING HINGE WATER LH
7	860419	TRIM DOOR DESIGNER X
8	876281P	PLUG DOOR SHELF WHITE (PKT 2)
9	837036	COVER DAIRY 900
10	836993	SHELF DOOR 900
11	818860	RAIL BOTTLE SUPPORT 900
12	837079	DIVIDER BOTTLE 900
13	848367P	DOOR PC 445X1130 FU4A SX2 RH
	Includes	GASKET ASSY E610 PC
	Includes	COVER DOOR HINGE RH SL
	Includes	BEARING HINGE WATER RH
	Includes	SPACER DOOR 680 (730+468MM)
14	849014P	DOOR PC 445X1135 FA SX2 LH
	Includes 813926	TRIM CORNER DOOR FLAT (2)
	Includes 860419	TRIM DOOR DESIGNER X
	Includes 883315	MAGNET DOOR SWITCH ST4
	Includes 820958	BEARING HINGE WATER LH
	Includes 813928	COVER MAGNET DOOR FLAT
	Includes 820957	COVER DOOR HINGE LH
15	819036P	GASKET ASSY 900 PC 430X1073 LTGY
19	817825P	SCREW 8X22 WAFER PHIL ST TV (PKT 10)
20	819650	CLOSING HOOK DOOR STOP GR RH
	819651	CLOSING HOOK DOOR STOP GR LH
21	814537	DOOR STOP ASSEMBLY
22	813928	COVER MAGNET DOOR FLAT
23	883315	MAGNET DOOR SWITCH ST4
24	860795P	BOSS HANDLE FLAT PKD

PC DOOR COMPONENTS

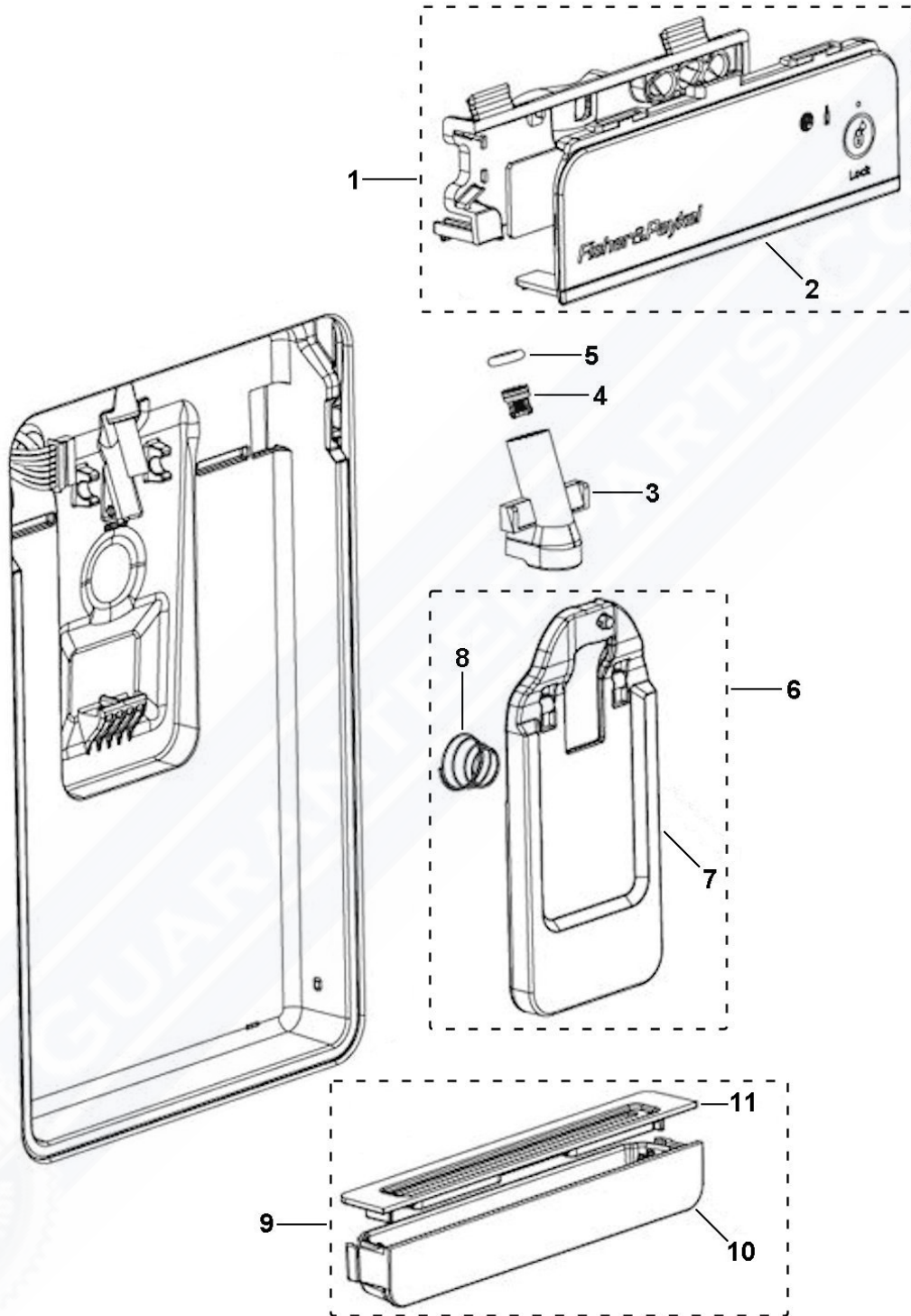


DWG004578

PC DOOR COMPONENTS

REFERENCE	PART NUMBER	PART DESCRIPTION
25	820584	HANDLE D3 642 RF ASSY BRUSHED
	Includes 819646	SCREW M5X40 CAP (2)
26	819646P	SCREW M5X40 CAP (PKT 10)
27	837014	PIN FLAPPER TOP
28	837039	HINGE FLAPPER TOP
29	837013	ENDCAP FLAPPER TOP
30	837048	SPRING FLAPPER
31	837049	HINGE FLAPPER BOTTOM
32	837050	CAP FLAPPER BOTTOM
33	837038	ENDCAP FLAPPER BOTTOM
34	838291P	INSERT STEEL FLAPPER & HEATER 8W
35	837042	INSULATION FLAPPER
36	837015	BODY FLAPPER 900
37	611933P	SCREW 8X5/8 TA MTS PH H5 ZN (PKT 10)

WATER DISPENSER HOUSING & DISPLAY MODULE COMPONENTS

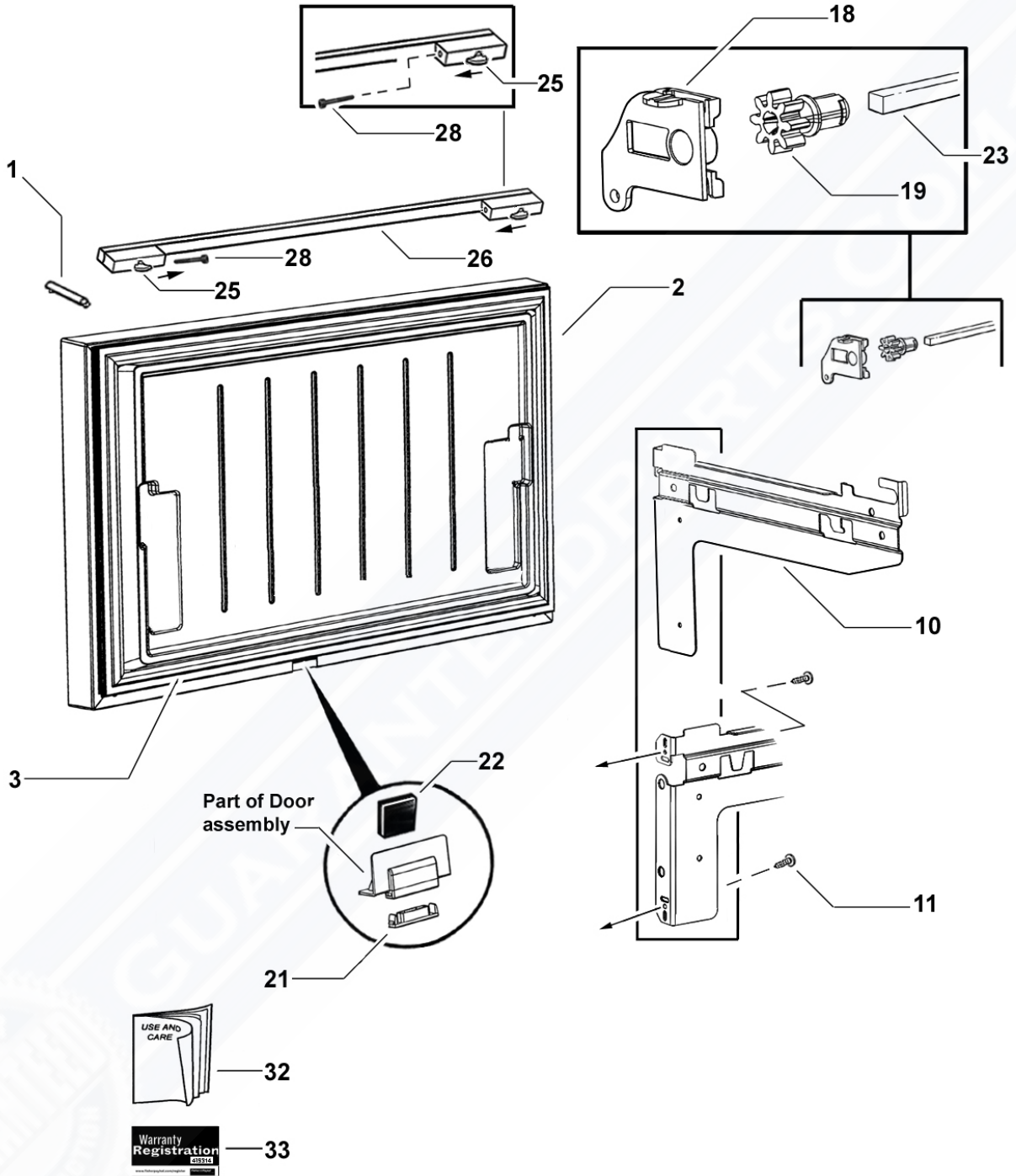


DWG002946 MARCH 2013

WATER DISPENSER HOUSING & DISPLAY MODULE COMPONENTS

REFERENCE	PART NUMBER	PART DESCRIPTION
1	821509P	MOD DISP AS U2 EXT SVC
	Includes 821293	FASICA IML WATER DISPENSER
2	821293	FASICA IML WATER DISPENSER
3	838115	SPIGOT ASSY WATER DISPENSER
	Includes 837391	CHECK VALVE SPIGOT WATER
	Includes 837390	ORING SPIGOT WATER DISPENSER
4	837391	CHECK VALVE SPIGOT WATER
5	837390	ORING SPIGOT WATER DISPENSER
6	838114	LEVER ASSY WATER DISPENSER
	Includes 821579	LEVER WATER DISPENSER
	Includes 821883	SPRING LEVER WATER DISPENSER
7	821579	LEVER WATER DISPENSER
8	821883	SPRING LEVER WATER DISPENSER
9	838113	TRAY DRIP ASSY WATER DISPENSER
	Includes 821582	DRIP TRAY CONTAINER
	Includes 821583	DRIP TRAY LID
10	821582	DRIP TRAY CONTAINER
11	821583	DRIP TRAY LID

FC DRAWER COMPONENTS



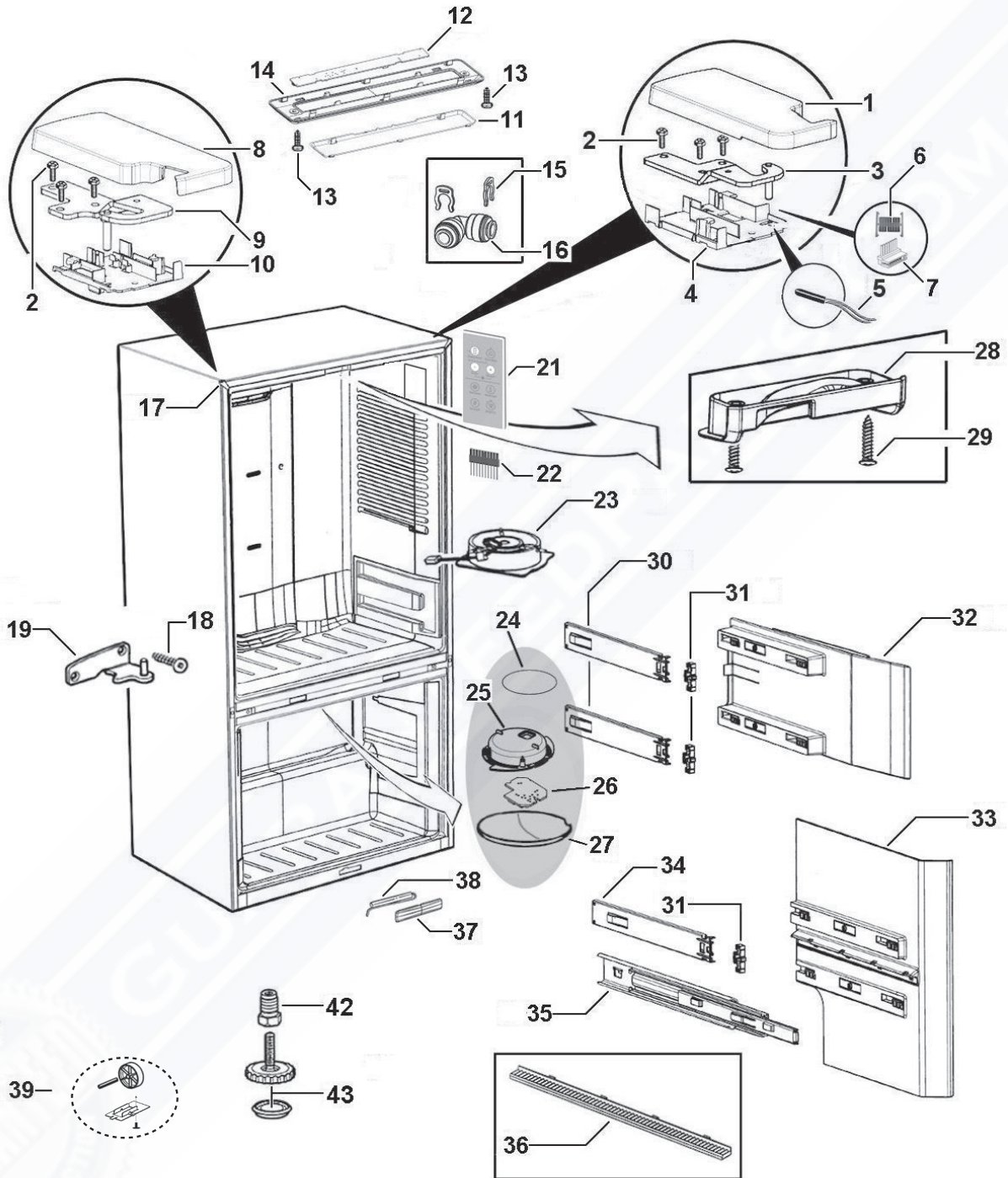
DWG001819

DWG 001819

FC DRAWER COMPONENTS

REFERENCE	PART NUMBER	PART DESCRIPTION
1	813926	TRIM CORNER DOOR FLAT
2	849038P	DRAWER FC 900X613 F SX2 P
	Includes 813928	COVER MAGNET DOOR FLAT
	Includes 883315	MAGNET DOOR SWITCH ST4
	Includes 860795	BOSS HANDLE FLAT (2)
3	819831P	GASKET FRAME E610 FC
10	837233	BRACKET DOOR FC RH
	837234	BRACKET DOOR FC LH
11	817825P	SCREW 8X22 WAFER PH ST TV (PKT 10)
18	837010	BRACKET MOUNT PINION FC RH
	837011	BRACKET MOUNT PINION FC LH
19	838502P	PINION ANTIRACK FC (2)
21	813928	COVER MAGNET DOOR FLAT
22	883315	MAGNET DOOR SWITCH ST4
23	837002	BAR ANTI RACKING 900 FC
25	860795P	BOSS HANDLE FLAT PKD
26	820585	HANDLE D3 820 RF ASSY BRUSHED
	Includes 819646	SCREW M5X40 CAP (2)
28	819646P	SCREW M5X40 CAP (PKT 10)
32	838360	BOOK U&C AA/GB/AE/HK/SG/IE/EU
33	NOT USED	ITEM NOT USED IN THIS MODEL

CABINET INTERIOR & EXTERIOR COMPONENTS

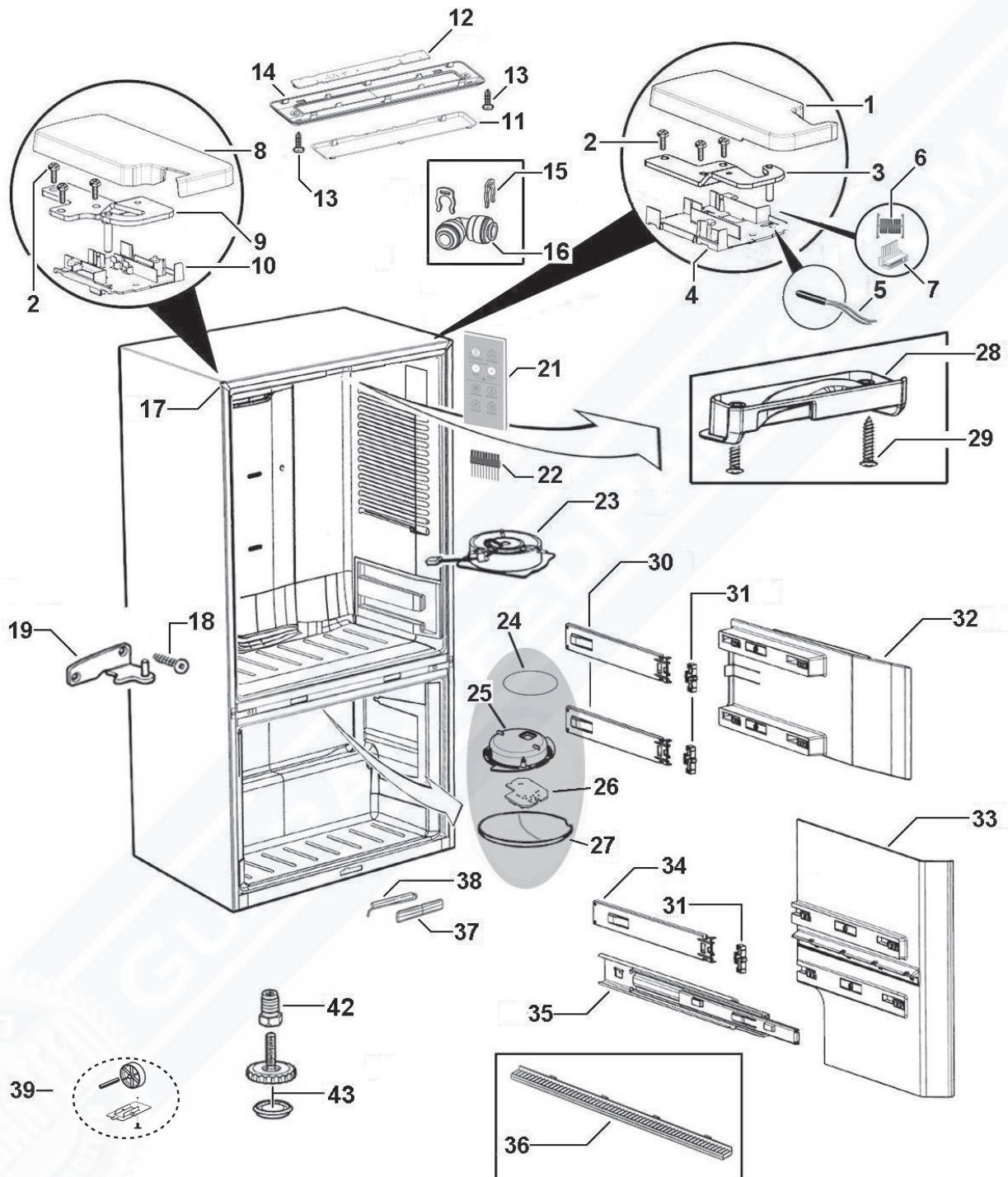


DWG004558

CABINET INTERIOR & EXTERIOR COMPONENTS

REFERENCE	PART NUMBER	PART DESCRIPTION
1	846778P	COVER HINGE LOW NIW GRY R
2	817818P	SCREW M5X20 HEX PH ST TV (PKT 10)
3	820717	BRACKET HINGE IW RH
4	846774P	SUPPORT HINGE LOW NIW
NI	847437	KIT COVER HINGE LOW GRY RH
	Includes 846778P	COVER HINGE LOW NIW GRY R
	Includes 846774P	SUPPORT HINGE LOW NIW
5	855203P	SENSOR KIT ASSY
	Includes	CONNECTOR BUTT
	Includes	HARNESS SENSOR PC
6	821917	CONNECTOR PCB RAST 8 WAY
7	873279	CONNECTOR RAST 7234-008-500
8	846779P	COVER HINGE LOW NIW GRY L
9	820863	BRACKET HINGE I&W LH
10	846774P	SUPPORT HINGE LOW NIW
NI	847438	KIT COVER HINGE LOW GRY LH
	Includes 846779P	COVER HINGE LOW NIW GRY L
	Includes 846774P	SUPPORT HINGE LOW NIW
11	820737	WINDOW LED PC
12	838548	MOD LAMP 3 LED 3W CONN
	Includes 820736	HOUSING FRONT LED PC
13	817816P	SCREW 6 X12 AB TRUSS PH ST TV
14	820736	HOUSING FRONT LED PC
15	837193P	COLLET LOCKING CLIP PIC1808R (PKT 2)
16	837192	CONNECTOR WATER ELBOW C 0308W
17	883951	TRIM CORNER SILVER RECESSED
18	880656P	SCREW 10GX25CSK SQ SS (PKT 10)
19	881288	BRACKET H-RAIL HINGE RH PLATED
	881290	BRACKET H-RAIL HINGE LH PLATED

CABINET INTERIOR & EXTERIOR COMPONENTS

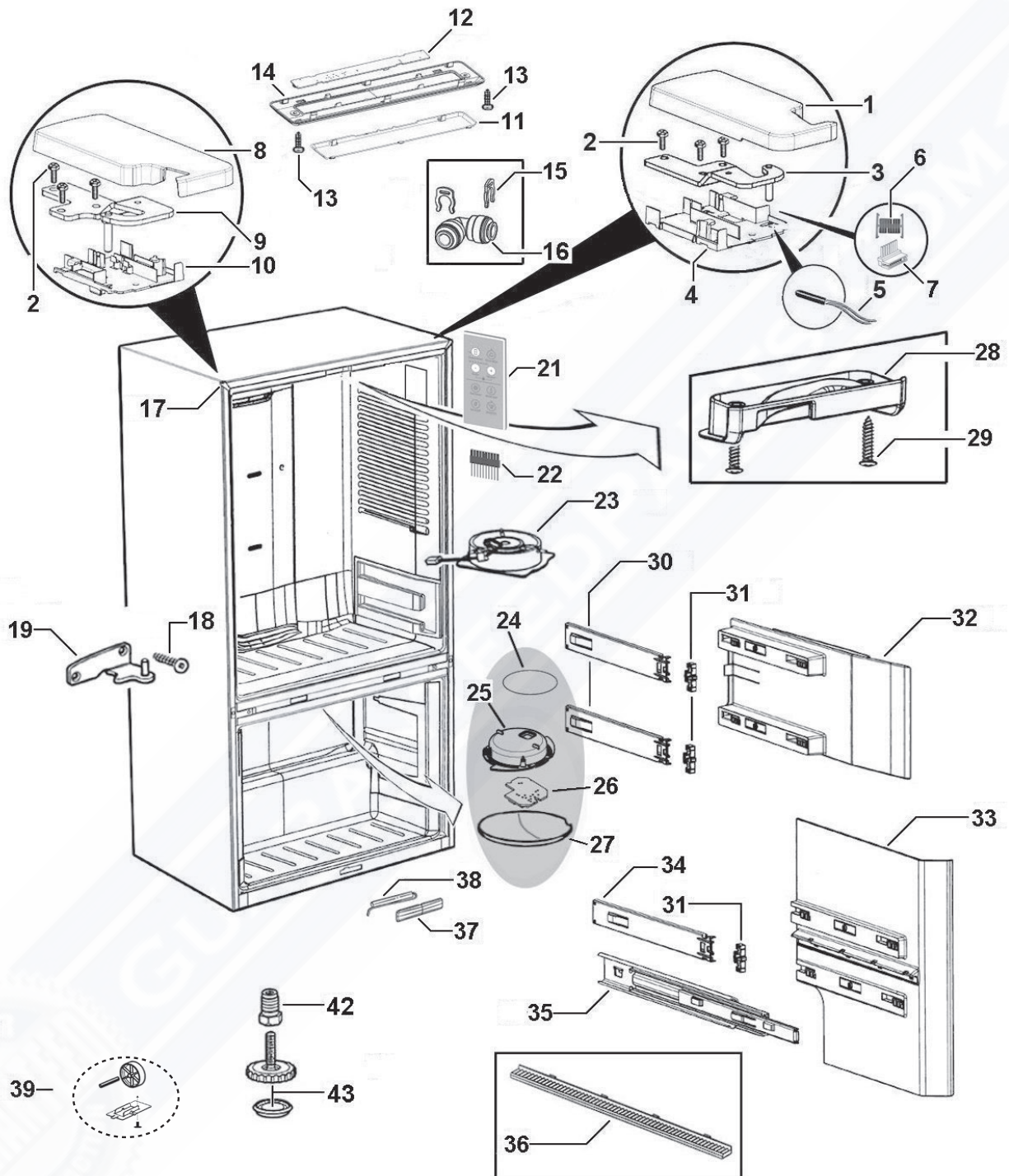


DWG004558

CABINET INTERIOR & EXTERIOR COMPONENTS

REFERENCE	PART NUMBER	PART DESCRIPTION
21	821286P	MOD DISP AS U2 INT 8 BUT SVC
22	838437	HARNESS DISPLAY SPARES
23	848320P	PC 3W FAN ASSY JST/DCT
	Includes	DUCT JUNCTION ASSY
	Includes	INSULATION DISPLACEMENT TERMINALS
	Includes	CONNECTOR IDC UP2 (2)
	Includes	LABEL WARNING 12 VOLT DC
	Includes	SHEET INSTRUCTION PC FAN ASSY
24	873394	GASKET FOAM LIGHT
25	820733	SINGLE LED HOUSING
26	820732P	MOD LAMP AS SGL LED ROHS
27	875318	COVER LAMP PC 42
28	837096	TRACK FLAPPER CABINET
29	837140P	SCREW 8X22 WAFER PH SS (PKT 10)
30	836700	SLIDE 305 RH ASSEMBLY RC
	Includes 836520P	CLIP SLIDE
	836701	SLIDE 305 LH ASSEMBLY RC
	Includes 836520P	CLIP SLIDE
31	836520P	CLIP SLIDE (PKT 2)
32	836996	RETAINER SLIDE PC 900 RH
	836997	RETAINER SLIDE PC 900 LH
33	836998	RETAINER SLIDE FC 900 RH
	836999	RETAINER SLIDE FC 900 LH
34	836702	SLIDE 355 RH ASSY RC
	Includes 836520P	CLIP SLIDE
	836703	SLIDE 355 LH ASSY RC
	Includes 836520P	CLIP SLIDE
35	838200	SLIDE DRAWER FC MAIN RH
	838199	SLIDE DRAWER FC MAIN LH
36	837047	TRACK ANTI RACKING FC

CABINET INTERIOR & EXTERIOR COMPONENTS

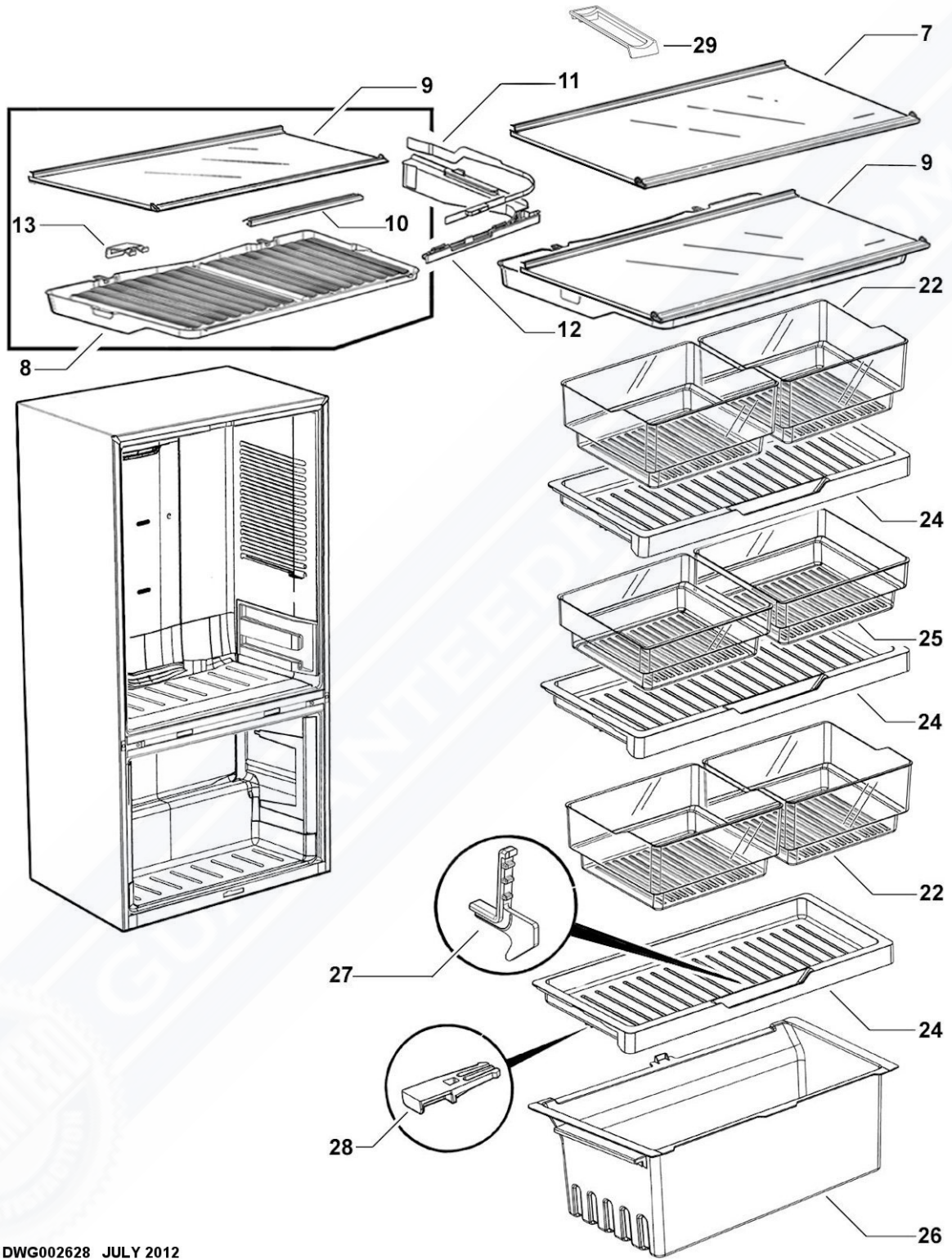


DWG004558

CABINET INTERIOR & EXTERIOR COMPONENTS

REFERENCE	PART NUMBER	PART DESCRIPTION
37	884011	COVER REED SWITCH ST4 SILVER
38	814443P	SWITCH REED FIELD FIX KIT ST4
39	847316P	RETAINER WHEEL STEEL KIT
	Includes	RETAINER WHEEL STEEL
	Includes	SCREW 8-32X8 TY T PAN PH TV
	Includes	ROLLER FOOT FRONT
	Includes	PIN ROLLER PLATED
42	813481	BOLT BLIND END HINGE BRACKET
43	818535	FOOT LEVELLING ASSEMBLY RC
	Includes	WHEEL LEVELLING FOOT ASSY
	Includes	BASE LEVELLING FOOT

SHELF COMPONENTS

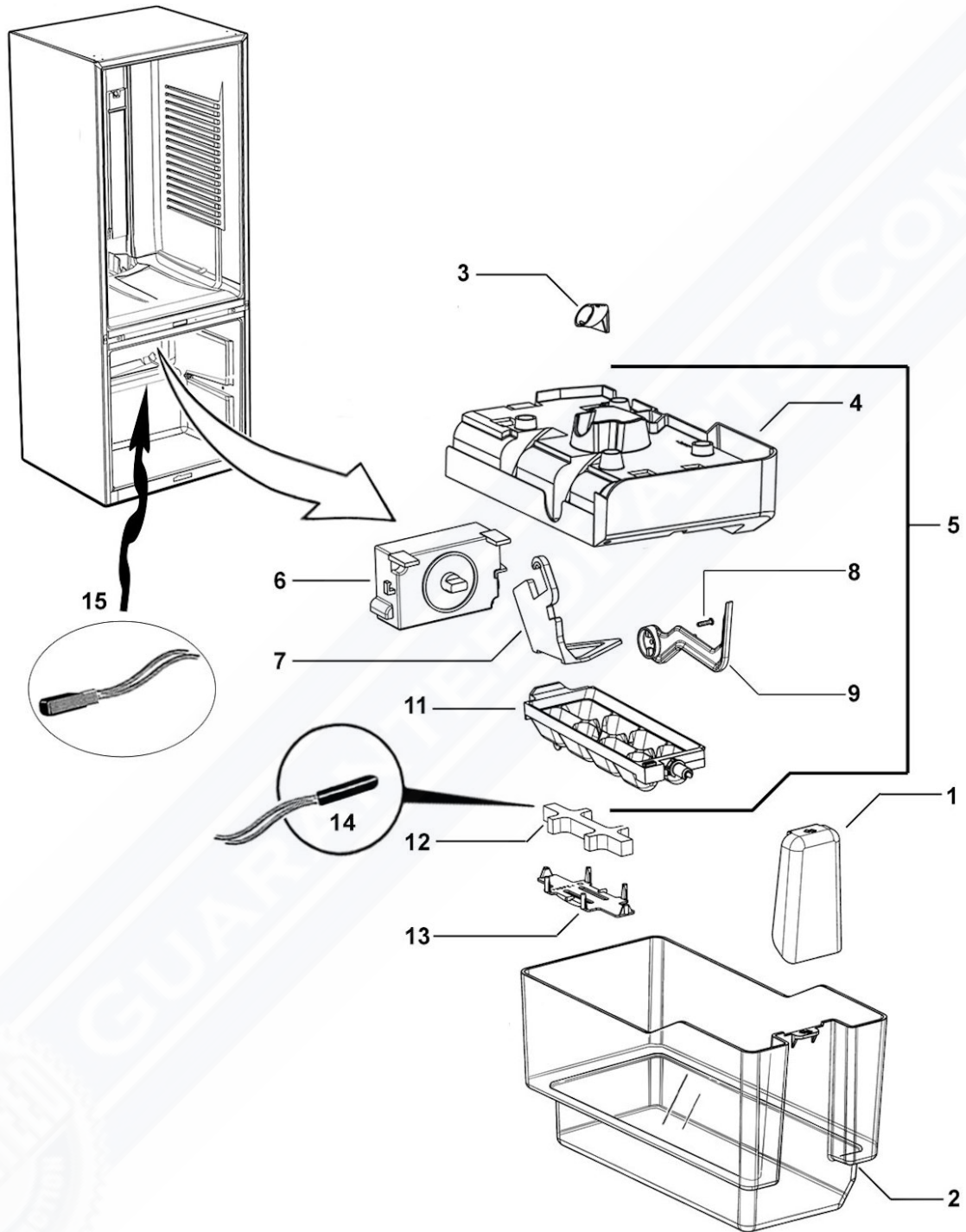


DWG002628 JULY 2012

SHELF COMPONENTS

REFERENCE	PART NUMBER	PART DESCRIPTION
7	837117P	SHELF GLASS PC 900 ASSY SC (2)
	Includes 836569	PLUG STIFFENER SHELF RH
	Includes 836570	PLUG STIFFENER SHELF LH
	Includes 836567	PLUG TRIM SHELF RH
	Includes 836568	PLUG TRIM SHELF LH
	Includes	TRIM SHELF PC 900 SC
	Includes	STIFFENER SHELF PC 900 SC
8	836978	LID HUMIDITY CONTROL 900
9	837116P	SHELF GLASS HCL 900B ASSY SC (1)
	Includes 836569	PLUG STIFFENER SHELF RH
	Includes 836570	PLUG STIFFENER SHELF LH
	Includes 836567	PLUG TRIM SHELF RH
	Includes 836568	PLUG TRIM SHELF LH
	Includes 837104	RETAINER HCL FRONT 900 464MM
	Includes	TRIM SHELF HCL 900 SC
	Includes	STIFFENER SHELF PC 900 SC
	Includes 881268	BRACKET HCL SUPPORT B GL SH (2)
	Includes 836978	LID HUMIDITY CONTROL 900
	Includes 836631	SLIDE CONTROL HUMIDITY RH
	Includes 836633	SLIDE CONTROL HUMIDITY LH
	Includes 836632	GUIDE CONTROL HUMIDITY RH
	Includes 836634	GUIDE CONTROL HUMIDITY LH
10	837104	RETAINER HCL FRONT 900 464MM
11	836631	SLIDE CONTROL HUMIDITY RH
	836633	SLIDE CONTROL HUMIDITY LH
12	836632	GUIDE CONTROL HUMIDITY RH
	836634	GUIDE CONTROL HUMIDITY LH
13	881268	BRACKET HCL SUPPORT B GL SH
22	836971	BIN MEDIUM 900
24	836973	TRAY SLIDING 900
25	836970	BIN SMALL 900
26	836995	BIN FC 900
27	819416	HOOK TRAY TO BIN
28	837040	RETAINER SLIDE TRAY
29	860593	BOTTLE HOLDER SINGLE

ICE MAKER & ICE BIN COMPONENTS



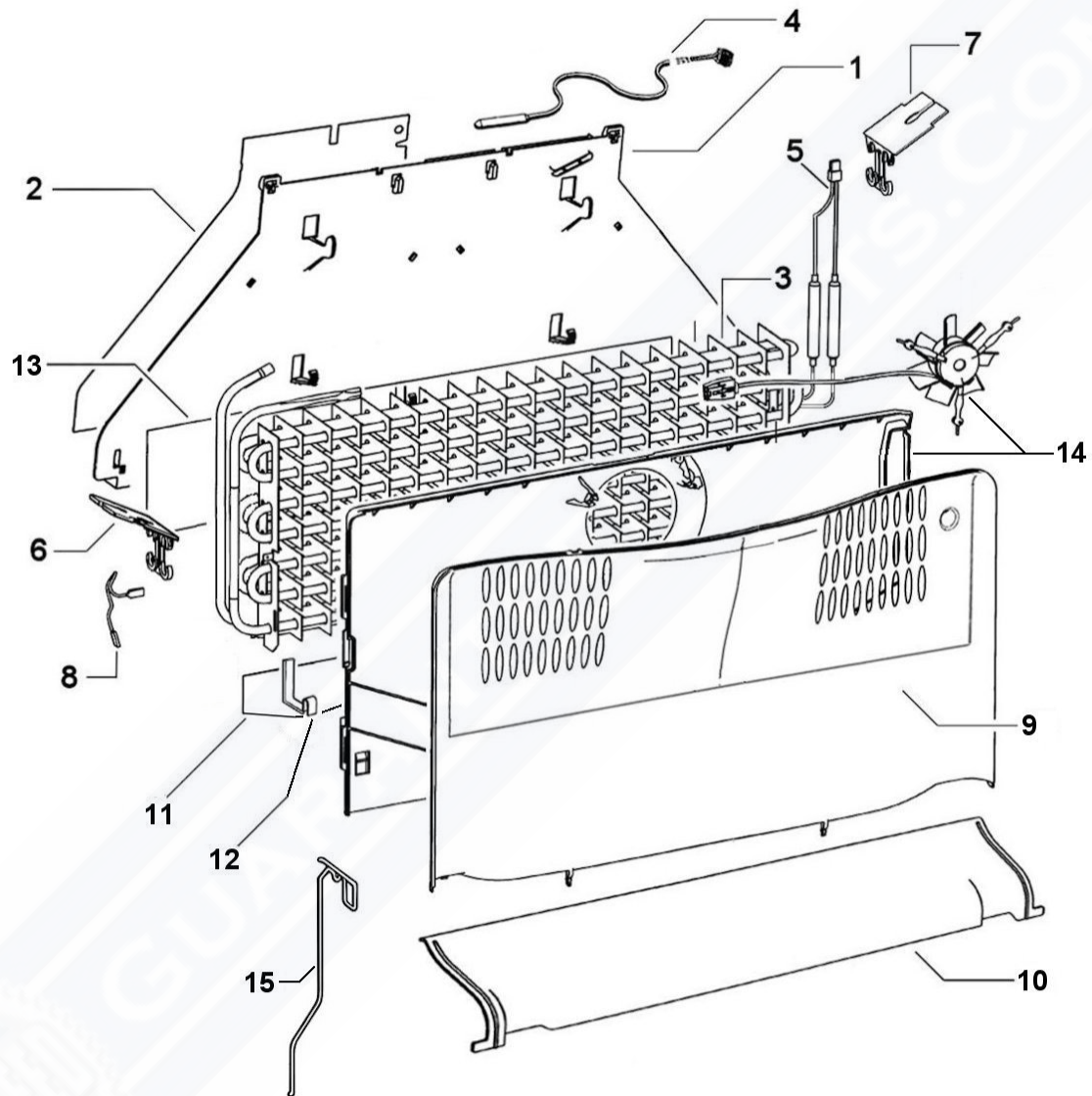
DWG002685 JULY 2012

DWG 002685

ICE MAKER & ICE BIN COMPONENTS

REFERENCE	PART NUMBER	PART DESCRIPTION
1	836929	SCOOP ICE
2	837030	BIN ICE 900
3	836936	SPIGOT FILL ICE MAKER
4	836915	HOUSING ICE MAKER
5	820833P	ICEMAKER ASSY LARGE
	Includes 820841	ICE TRAY AUTO LARGE
	Includes 836910	LEVER GEAR BOX ICE
	Includes 836915	HOUSING ICE MAKER
	Includes 836934	GEARBOX ICE MAKER
	Includes 836948	SCREW 6X12 PAN PH SS
6	836934	GEARBOX ICE MAKER
7	836912	LEVER BIN DETECT
8	836948P	SCREW 6X1/2 PAN PH SS (PKT 10)
9	836910	LEVER GEAR BOX ICE
11	820841	ICE TRAY AUTO LARGE
12	836909	FOAM CLIP SENSOR
13	837180	CLIP SENSOR ICE TRAY
14	321107	ICE MAKER SENSOR LEAD WIRE KIT
	Includes	SENSOR THERMISTOR ICE MAKER
	Includes	CONNECTOR IDC UY2 - 3MS
15	821689P	ICE FILL TUBE HEATER KIT MK2

FAN, COVER & EVAPORATOR COMPONENTS



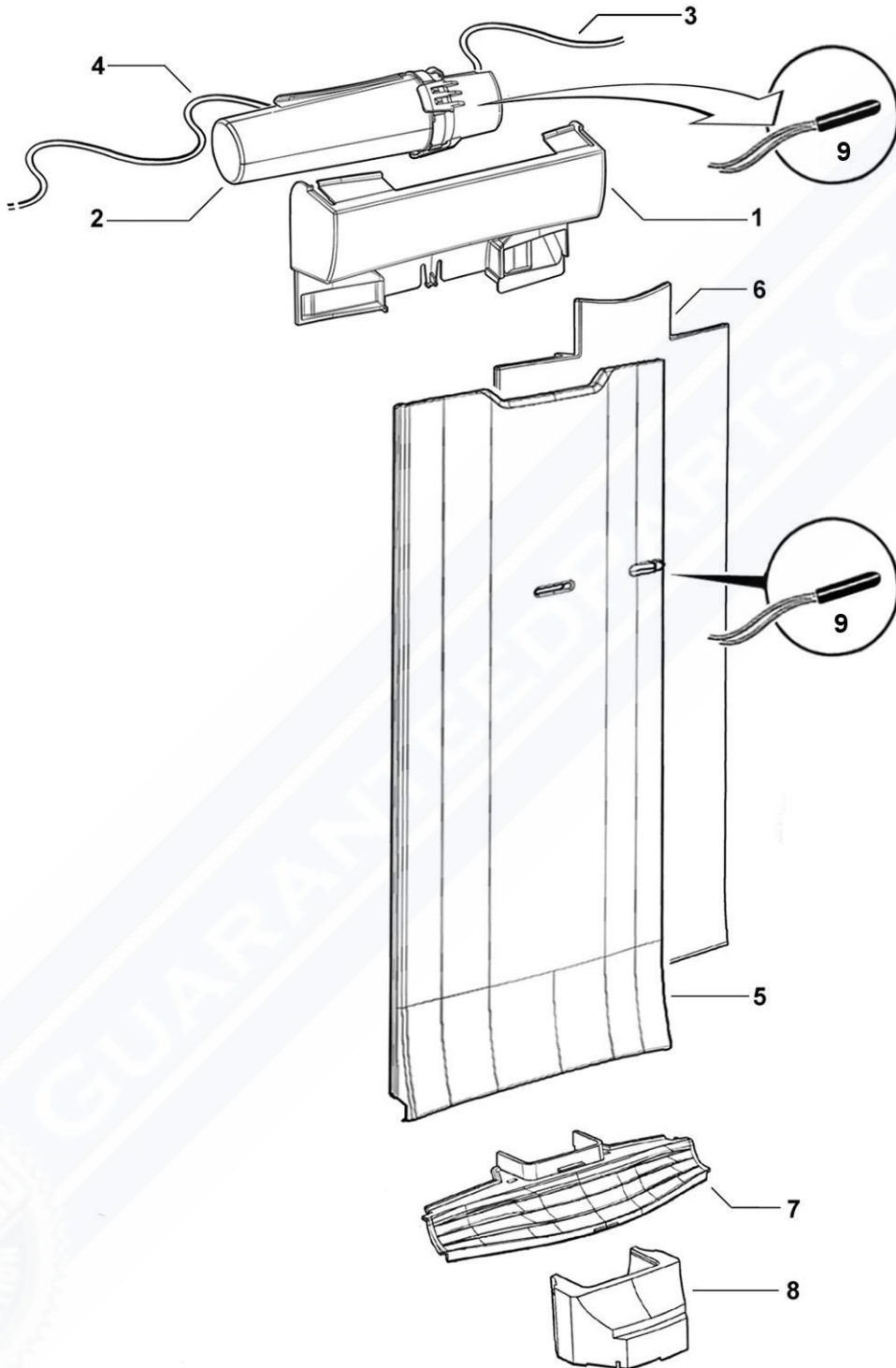
DWG002714 APRIL 2012

DWG 002714

FAN, COVER & EVAPORATOR COMPONENTS

REFERENCE	PART NUMBER	PART DESCRIPTION
1	814475	CHASSIS EVAP 790B
2	884315	DEFLECTOR HEAT 790B
3	837336P	EVAP ASSY 790B 230V DP
	Includes	EVAPORATOR FINNED 790 R600A
	Includes 814475	CHASSIS EVAP 790B
	Includes 814713	SHIELD EVAP CHASSIS 790B
	Includes 884315	DEFLECTOR HEAT 790B
	Includes 821877	HEATER DEFROST DBLE 230V 790
	Includes 820604	CLIP EVAP BAFFLE
	Includes 813992	CLIP ACTIVE SMART BAFFLE
	Includes 820835	CLIP DEFROST HEATER B SHORT (2)
	Includes 814460	HARNESS EARTH 100MM
	Includes 821255	CABLE TIE 200MMX3.6
4	855203P	SENSOR KIT ASSY ACTV SM
	Includes	HEATSHRINK 25MM
	Includes	HARNESS SENSOR PC
	Includes	CONNECTOR BUTT (2)
	Includes	SHEET INSTRUCTN BUTT CONNECTORS
5	821877	HEATER DEFROST DBLE 230V 790
NI	821745	COVER PLUG TYCO
6	813992	CLIP ACTIVE SMART BAFFLE
7	820604	CLIP EVAP BAFFLE
8	814460	HARNESS EARTH 100MM
9	873395	COVER FAN FC FRONT E790B
10	836595	DUCT RETURN AIR FC 790
11	883783	SHIELD FC REAR COVER 790
12	820835	CLIP DEFOST HEATER B SHORT
13	814713	SHIELD EVAP CHASSIS
14	848316P	FAN FC 3W KIT 790 SERIES A TO
	Includes 880279	SHIELD HEATER FC COVER 790
	Includes	COVER FAN FC REAR 790
	Includes	CONNECTOR IDC UP2 (2)
	Includes	LABEL WARNING 12 VOLT DC
	Includes	FAN DC SUSPENDEED FC ASSY
15	821251	WIRE DRAIN HEATER DOUBLE B

WATER TANK & DUCT COVER COMPONENTS



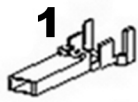
DWG002822 AUGUST 2012

DWG 002822

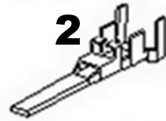
WATER TANK & DUCT COVER COMPONENTS

REFERENCE	PART NUMBER	PART DESCRIPTION
1	836849	COVER DUCT TOP WATER
2	836846	TANK DISPENSER ASSEMBLY
	Includes	CAP TANK DISPENSER
	Includes	BASE TANK DISPENSER
	Includes	BAFFLE TANK DISPENSER
3	836857	TUBE FILTER WATER 1/4 OD 4M WH
4	837139	TUBE WATER TANK INLET 900
5	837020	COVER DUCT PC 900B
6	837021	INSULATION COVER DUCT 900B
7	813287	GRILLE PC RETURN AIR B MODEL
8	872823	INSULATION INSERT PID
9	855203P	SENSOR KIT ASSY ACTV SM
	Includes	HARNESS SENSOR THERMISTOR PC
	Includes	CONNECTOR BUTT (2)

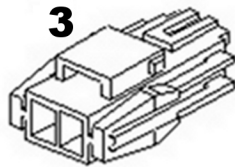
TERMINAL, PLUGS & SOCKETS



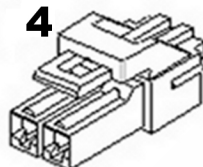
1
JST SOCKET TERMINAL



2
JST PIN TERMINAL



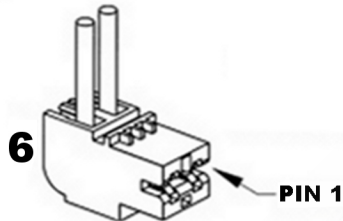
3
JST SOCKET



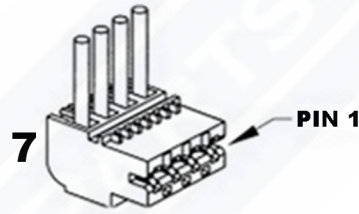
4
JST PLUG



5
JST RETAINER



6
RAST CONNECTOR



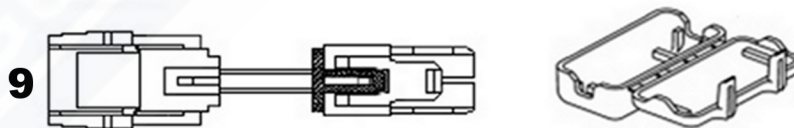
7
RAST CONNECTOR

NOTE THAT IN THE PART NAMES OF THESE CONNECTORS, THE -02- REFERS TO IT BEING A 2 WAY CONNECTOR, AND THE -AB01-(FOR EXAMPLE) REFERS TO THE CODING OF THE CONNECTOR.

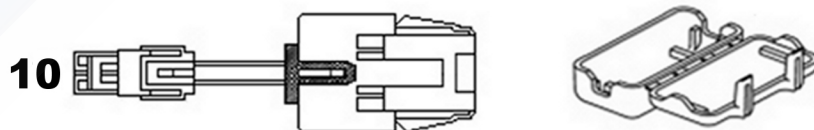


8
RAST CONNECTOR

NOTE: TO MINIMISE THE NUMBER OF SPARE PARTS THAT NEED TO BE CARRIED, THESE CODED CONNECTORS ARE TO BE REPLACED WITH THEIR UNCODED EQUIVALENTS FOR THE 3, 5 AND 6 WAY CONNECTORS USED ON STAGE 4 CABINETS.



9
HARNESS ADAPTOR - JST REC TO MOLEX PLUG



10
HARNESS ADAPTOR - JST PLUG TO MOLEX REC

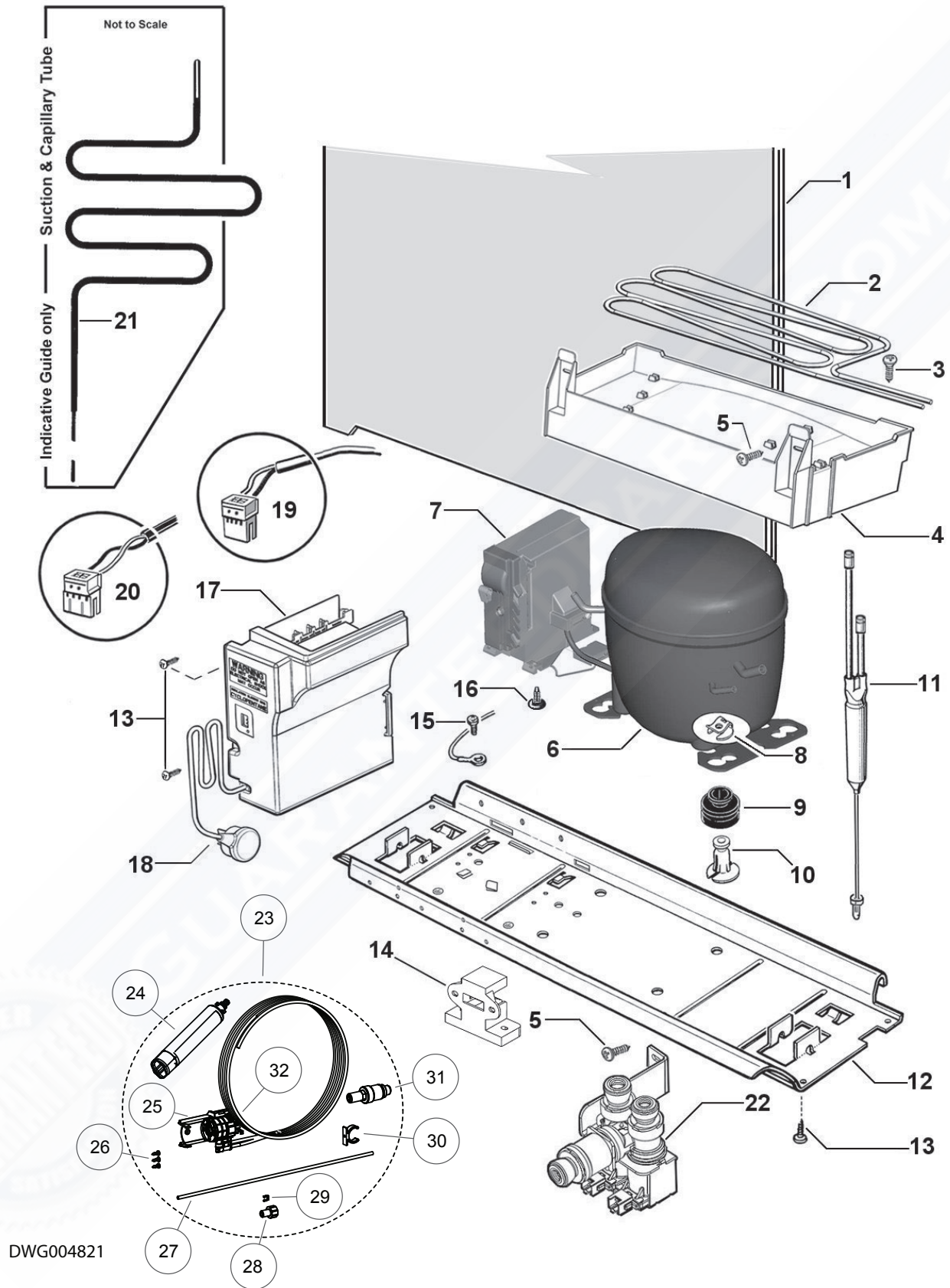
DWG002630 FEBRUARY 2012

TERMINAL, PLUGS & SOCKETS

REFERENCE	PART NUMBER	PART DESCRIPTION	COMMENTS
1	819607P	TERMINAL SYF-01T PKT 10	26/20 AWG
	819608P	TERMINAL SYF-41T PKT 10	20/16 AWG
2	819609P	PIN/TERM SYM-01T PKT 10	26/20 AWG
	819610P	PIN/TERM SYM-41T PKT 10	20/16 AWG
3	819615	JST SOCKET 2PIN YLR-02V	
	819616	JST SOCKET 3PIN YLR-03V	
	819617	JST SOCKET 4PIN YLR-04V	
	819618	JST SOCKET 6PIN YLR-06VF	
	819619	JST SOCKET 8 PIN YLR-08V	
4	819611	JST PLUG 2PIN YLP-02V	
	819612	JST PLUG 4PIN YLP-04V	
	819613	JST PLUG 6PIN YLP-06V	
	819614	JST PLUG 8PIN YLP-08V	
5	819620	RETAINER 2 WAY YLS-02V	
	819621	RETAINER 3 WAY YLS-03V	
6	881588	CONNECTOR RAST 9290-02-AB01	MAINS CORD
	881589	CONNECTOR RAST 9290-02-BA01	DEFROST HEATER
	881590	CONNECTOR RAST 9290-02-EE01	RUN CAPACITOR
7	881591	CONNECTOR RAST 9290-04-EF02	COMPRESSOR CABLE
8	873251	CONNECTOR RAST 7234-003-500	
	873250	CONNECTOR RAST 7234-004-500	
	881135	CONNECTOR RAST 7234-005-500	
	873247	CONNECTOR RAST 7234-006-500	
	873279	CONNECTOR RAST 7234-008-500	
	873248	CONNECTOR RAST 7234-010-500	
	873243	CONNECTOR RAST 7234-012-500	
	881136	CONNECTOR RAST 7234-014-500	
	881137	CONNECTOR RAST 7234-017-502	
9	820687P	ADAPTOR JST REC TO MOLEX KIT	
	Includes 884412	COVER PLUG MOLEX	
10	820688P	ADAPTOR JST PLUG TO MOLEX KIT	
	Includes 884412	COVER PLUG MOLEX	

NOTE: THE NUMBERS IN THE DESCRIPTION OF THE RAST CONNECTOR DENOTES THE NUMBER OF CONNECTIONS - EXAMPLE: 7234-017-502 =17 WAY CONNECTOR

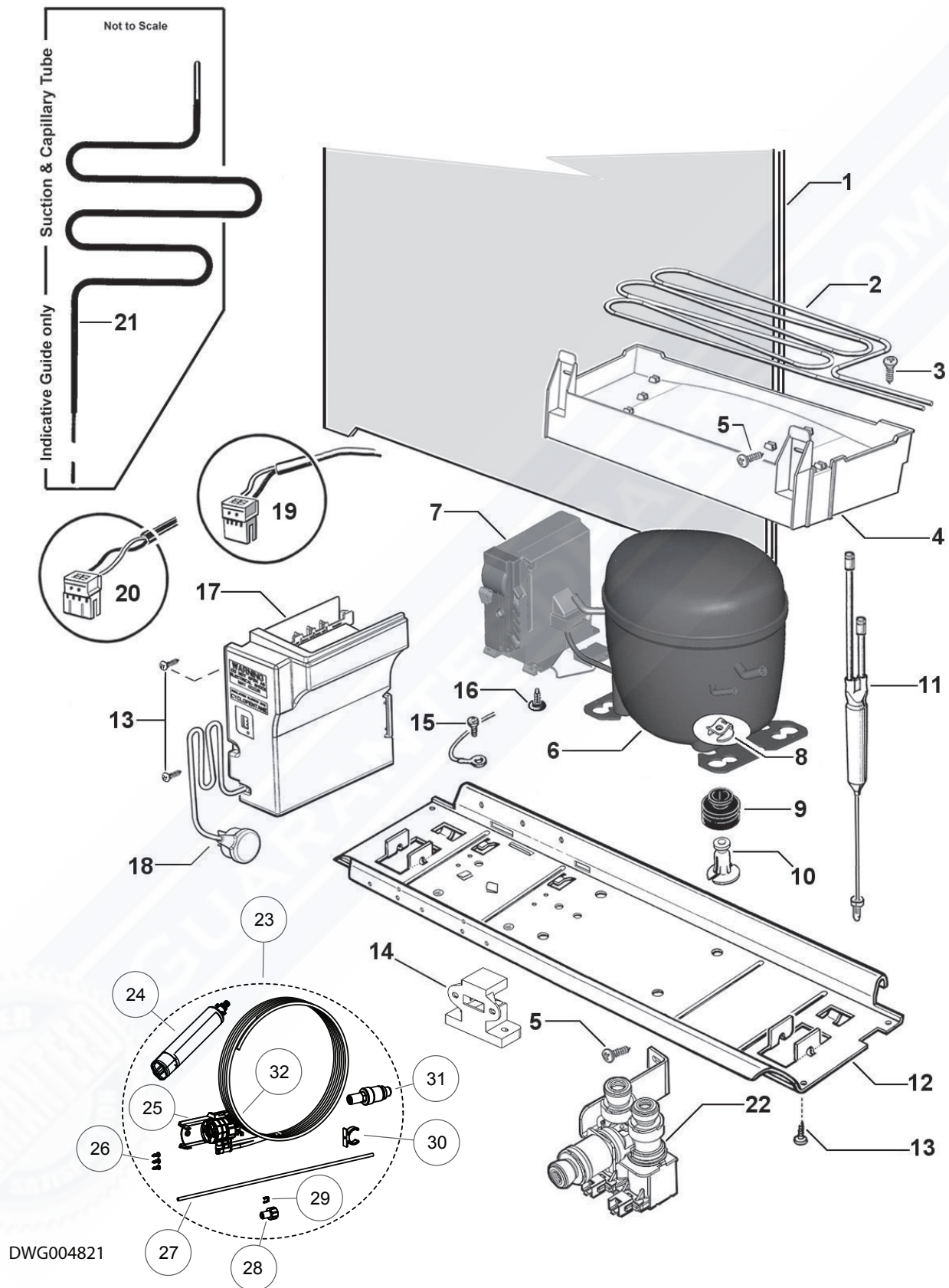
COMPRESSOR & CONTROL MODULE COMPONENTS



COMPRESSOR & CONTROL MODULE COMPONENTS

REFERENCE	PART NUMBER	PART DESCRIPTION
1	374047P	PANEL BACK & COND 900 SHORT ASSY
2	819598	TUBE EVAP TRAY FORMED H/SHRINK
3	815236P	SCREW #12X1/2 CSK PH TV (PKT 10)
4	820734	TRAY EVAP AS
5	817817P	SCREW #8X12 SP PAN NIB ST TV (PKT 10)
6	207426P	COMPR PKD JIAX VNFB16Y 230V
	includes	COMPR JIAX VNFB16Y
	includes	COVER PROTECTOR JIAX VCC
	includes 814843	FILTER PREBRAZED LONG TAIL
	includes	GROMMET COMPR MTG 16.5MM (4)
	includes	POST COMP MOUNTING 16.5MM (4)
	includes	CLIP FOOT COMPRESSOR (4)
7	207427	INVERTER JIAX VNFB16Y 230V
8	855270P	CLIP FOOT COMPRESSOR (PKT 4)
9	849622P	GROMMET 16.5MM KIT 4 PACK
	includes	POST COMP MOUNTING 16.5MM
	includes	GROMMET COMPR MTG 16.5MM
	includes	CLIP FOOT COMPRESSOR
10	NA	REFER TO ITEM #9 - KIT ONLY
11	814843P	FILTER LONG TAIL XH9 12GRM
12	837028	TRAY COMPRESSOR MOUNTING 900
13	817829P	SCREW 8X16 SP PAN NIB TV (PKT 10)
14	880911	BRACKET STABILITY ASSY
15	817828P	SCREW 8-32X8 TY T PAN PH TV (PKT 10)
16	813271	CLIP INVERTER MOUNTING
17	847818P	MOD CNTRL F AS51 120-230V SVC
18	817837	CABLE SUPPLY SING/UK
19	884242	HARNESS VCC SIGNAL
20	884243	HARNESS VCC POWER
21	821258	TUBE SUCT CAP ASSY 5/16 ROHS
22	820718	VALVE ICE WATER 16 WATT

COMPRESSOR & CONTROL MODULE COMPONENTS



COMPRESSOR & CONTROL MODULE COMPONENTS

REFERENCE	PART NUMBER	PART DESCRIPTION
23	848108	KIT INSTALL FILTER WATER GB EU
	includes 821756	VALVE PRESSURE LIMIT 600KPA 85
	includes 847700	CLIP LOCKING I&W
	includes 847200	REFRIGERATOR WATER FILTER
	includes 847312	HEAD FILTER WATER 90 DEG FS
	includes 847480	BRACKET FILTER WATER ASSY
	includes 847613	ADAPTOR TAP 1/4 OD 3/4 BSP
	includes 847848	TUBE FILTER WATER 1/4" 500MM
	includes 611812P	SCREW ST 10X5/8 MSH PAN PKT 10
24	847200	REFRIGERATOR WATER FILTER
25	847480	BRACKET FILTER WATER ASSY
26	611812P	SCREW ST 10X5/8 MSH PAN PKT 10
27	847848	TUBE FILTER WATER 1/4" 500MM
28	847613	ADAPTOR TAP 1/4 OD 3/4 BSP
29	847700	CLIP LOCKING I&W
30	847538	BRACKET WALL PLV
31	821756	VALVE PRESSURE LIMIT 600KPA 85
32	847312	HEAD FILTER WATER 90 DEG FS